

Ecostat

Bath thermostat Comfort for exposed installation

Surface: **Matt Black** Article Number: **13114670**



Description

product features

- projection 177 mm
- 2 functions
- spray type mixer: normal spray
- maximum flow rate at 3 bar: 20 l/min
- flow rate for bath spout at 3 bar: 20 l/min
- flow rate of hand shower at 3 bar: 16 l/min
- flow rate hand shower connection at 3 bar: 16 l/min
- min. operating pressure: 1 bar
- max. operating pressure: 10 bar
- shut-off/ diverter valve, thermostat cartridge
- safety stop at 40 °C
- temperature limitation adjustable
- non-return valve
- with silencer
- material handles: metal
- connection type: s-shaped connections
- connection dimension: DN15
- centre distance: 150 ± 12 mm
- dirt filter included

Technology



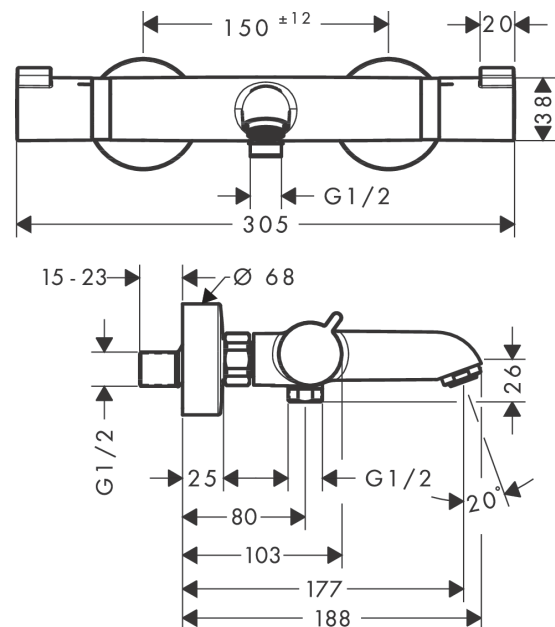
Design awards



Product image



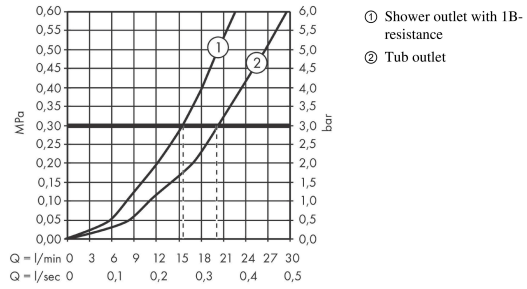
Scale drawing



Ecostat
Bath thermostat Comfort for exposed installation
 Surface: **Matt Black** Article Number: **13114670**



Flowchart

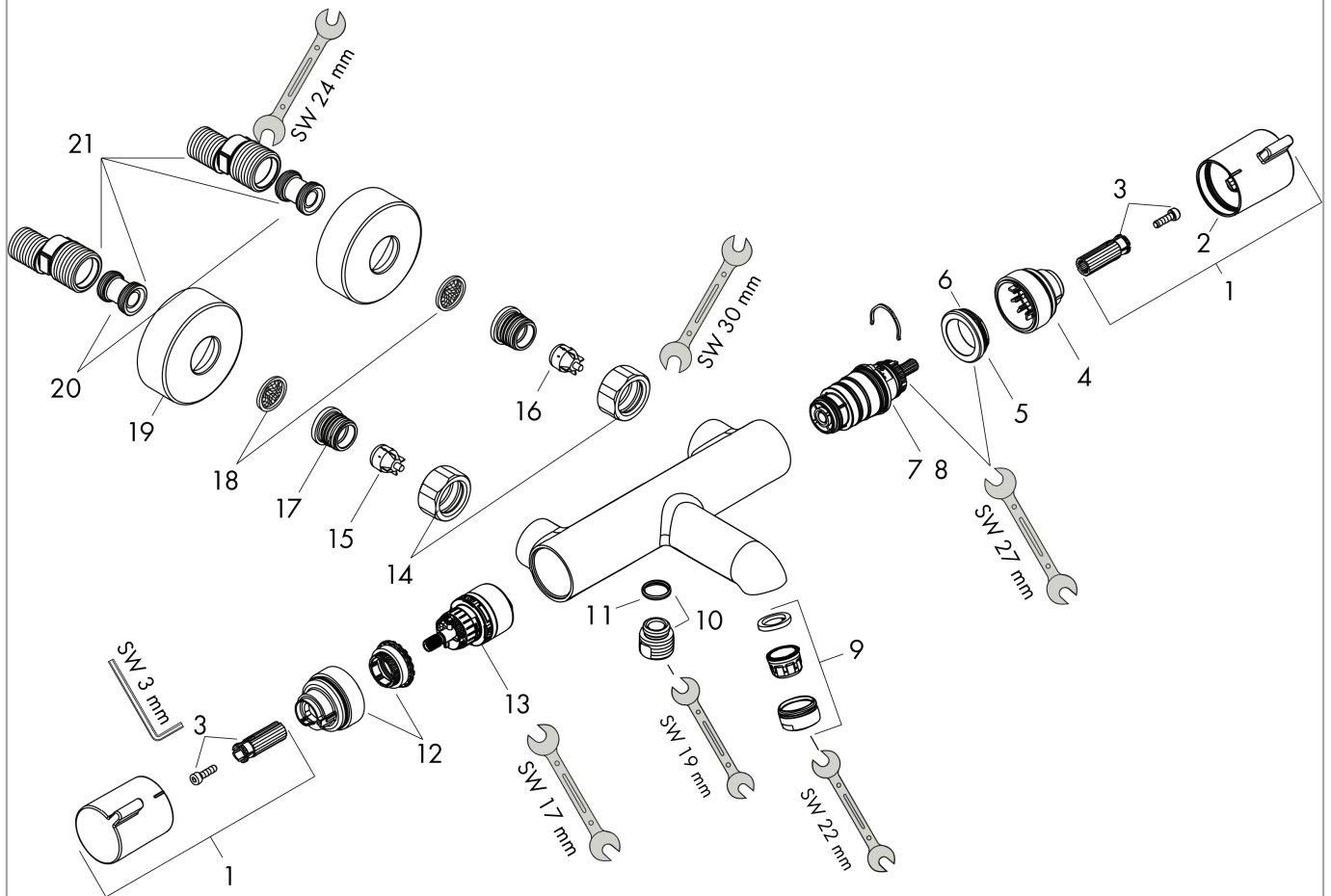


Ecostat
Bath thermostat Comfort for exposed installation
 Surface: **Matt Black** Article Number: **13114670**



Exploded Drawing

Year of production: >07/19



Ecostat
Bath thermostat Comfort for exposed installation
 Surface: **Matt Black** Article Number: **13114670**



Spare part list

Year of production: >07/19

Pos.	Description	Article Number	Price	PU
1	handle	95836670	€ 43,44	1
2	pushbutton	92848670	€ 8,09	1
3	handle fixing set	95843000	€ 8,69	1
4	safety set	95839000	€ 18,80	1
5	nut	98913000	€ 18,80	1
6	O-ring 26x1,5	98390000	€ 3,33	1
7	thermostat cartridge	98282000	€ 103,17	1
8	cartridge for exchanged connections	92373000	€ 256,68	1
9	aerator M24x1 (30 l/min)	96512670	€ 21,42	1
10	connecting thread	95392670	€ 28,20	1
11	O-ring 14x2	98129000	€ 3,33	1
12	safety set	95840000	€ 18,80	1
13	shut off unit with selector	98283000	€ 72,47	1
14	set of nuts	96157670	€ 43,44	1
15	non return valve (pressure-resistant up to 2 MPa)	93136000	€ 28,92	1
16	non return valve	96737000	€ 28,92	1
17	O-ring 17x1,5	98137000	€ 3,33	1
18	filter packing	96922000	€ 8,69	1
19	escutcheon Ø 68 mm	96467670	€ 28,20	1
20	noise reduction	96429000	€ 5,36	1
21	set of S-unions (±12 mm)	94140000	€ 45,82	1
a	set of S-unions (±32 mm)	98592000	€ 36,89	1